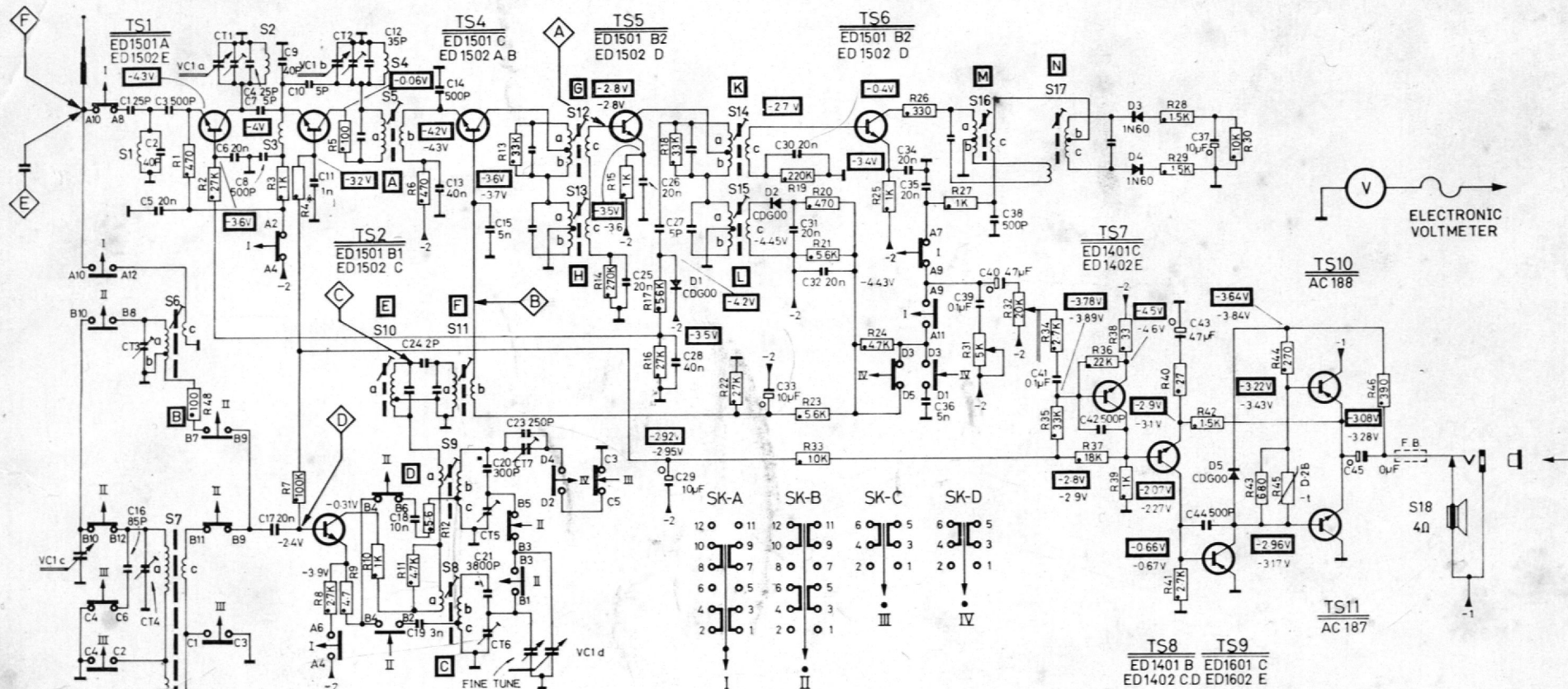


S	1	B	7	2	3	410A	DCF	G.H		K.L		M	N	19	18	S																													
R	16	1	5.2	3	4	8.7	19	10	11	12	18	19	24	14	13	20	21	15	23	22	33	31	30	32	34	46	35	36	47	39	38	40	48	41	42	49	43	44	37	50	51	52	53	45	46

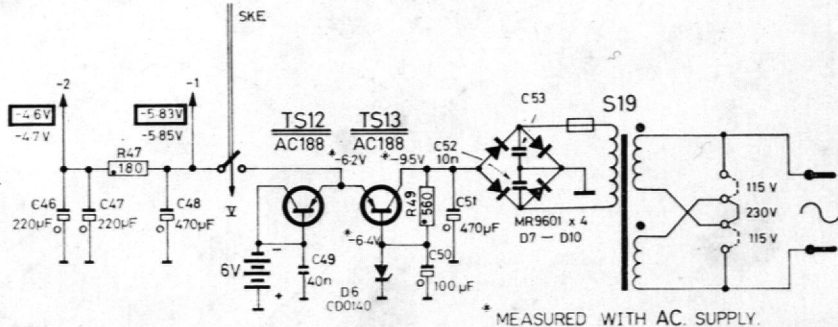
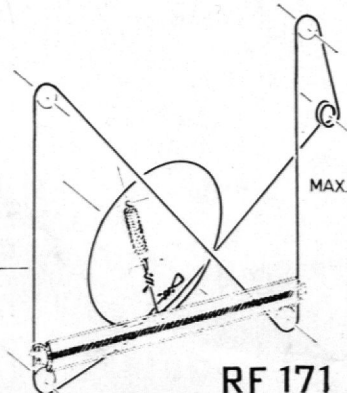


	03	412
R4*	150K	47K

TS3
ED1501 A
ED1502 E

- I = FM.
- II = SW.
- III = MW.
- IV = LW.
- V = ON.

- Carbon resistor E12 series 0.25W < 1MΩ 5%
- Plate ceramic capacitor
- Polystyrene capacitor
- Miniature electrolytic capacitor



THE CIRCUIT DIAGRAM HAS BEEN DRAWN IN POSITION FM.

RL 412